

### MILD STEEL STAIR 1400 SERIES

#### Construction Specifications

Overall stair diameter is 1300mm. Stair opening must be 1400mm x 1400mm circular or square.

#### Centre Column

114.3 O.D. X 4.5mm mild steel pipe.

#### Landing

4mm mild steel plate is laser cut and folded with a 60° angle. Can be attached to timber, concrete or steel.

#### Treads & Risers

4mm mild steel plate is laser cut and folded with a 100mm turn-down at the front of the tread and a 23mm turn-up at back of the tread. Risers are between 205mm – 220mm as determined by the floor to floor height. Width of treads free of obstruction is 590mm. Anti slip tread mats are standard and are replaceable.

#### Stair Handrail

Polymer handrail system is 38 x 5mm round. Aluminium handrail system is 32 x 1.6mm CHS. Balusters are 19 x 1.6mm SHS with a maximum spacing of 125mm. Newel posts, top and bottom are 38 x 38 x 1.6mm SHS. The handrail is provided on one side of the stair with a minimum height above the tread nosing of 865mm.

#### Balustrade Panels

End posts are 38 x 38 x 1.6mm SHS mild steel. Top rail is 32 x 1.6mm CHS mild steel. Bottom rail and in-fills are 19 x 1.6mm SHS mild steel. Balcony rails are at a minimum height of 1000mm above floor. Balusters are spaced with a maximum gap of 125mm.

#### Stair Geometry

Stair has risers between 205mm – 220mm with 12 treads to circle at 27.5°. The going measured at 7/10ths of the unobstructed width is a minimum of 210mm. The slope relationship is between 625mm - 655mm. The gap between tread risers does not exceed 125mm.

#### Headroom

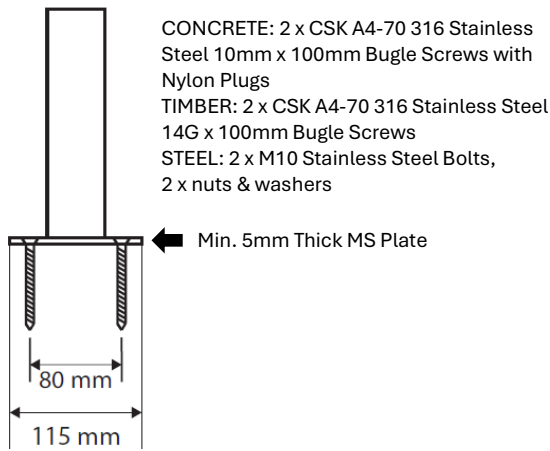
Using a standard landing with a 50mm turn-down, clear headroom must be 2000mm minimum.

#### Modular / Kit Form

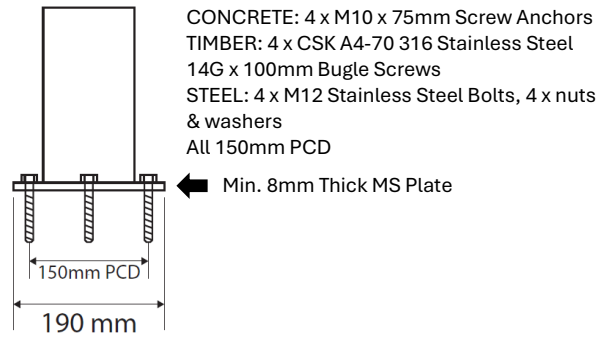
The spiral stair is pre-manufactured and mechanically assembled onsite. No welding, cutting or grinding is required.

This system is covered by Registered Design No's: 157138 & 150823 and may not be manufactured or copied, without the written consent of Spiralworks Pty Ltd.

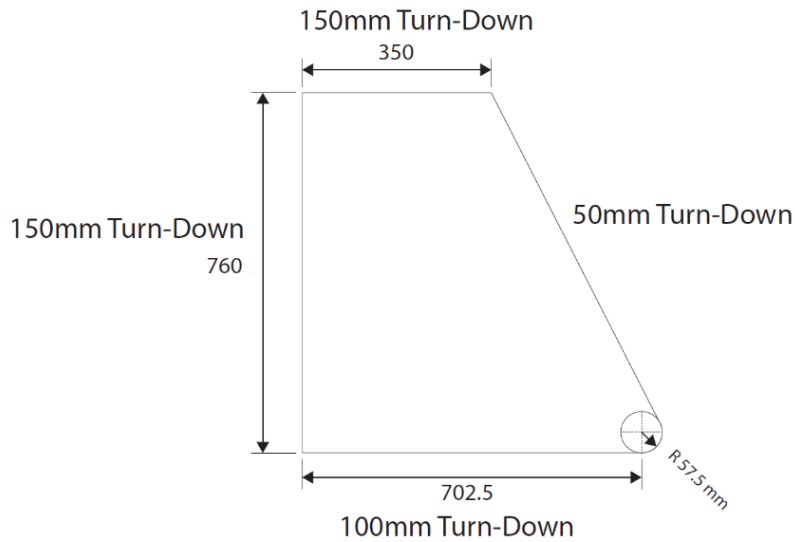
### Bottom Newel Post



### Centre Column Base Plate




### Standard Landing Detail



### EXAMPLES OF SETOUT - WE BUILD TO SUIT

205mm to 220mm Riser - 12 Treads to Circle at 27.5°  
Mid-landing required for 19 or more risers

|                       |      |      |      |      |      |      |      |      |      |      |      |
|-----------------------|------|------|------|------|------|------|------|------|------|------|------|
| Floor to Floor Height | 2630 | 2850 | 3070 | 3290 | 3510 | 3730 | 3950 | 4170 | 4390 | 4610 | 4830 |
| Number of Risers      | 12   | 13   | 14   | 15   | 16   | 17   | 18   | 19   | 20   | 21   | 22   |
| Number of Treads      | 11   | 12   | 13   | 14   | 15   | 16   | 17   | 18   | 19   | 20   | 21   |
| Rotation              | 330  | 360  | 390  | 420  | 450  | 480  | 510  | 540  | 570  | 600  | 630  |



### Landing Example ..... Dotted line denotes fixing face

