

MILD STEEL STAIR 1600 SERIES

Construction Specifications

Overall stair diameter is 1500mm. Stair opening must be 1600mm x 1600mm circular or square.

Centre Column

114.3 O.D. X 4.5mm mild steel pipe.

Landing

4mm mild steel plate is laser cut and folded to create turn-downs for fixing points. Can be attached to timber, concrete or steel.

Treads & Risers

4mm mild steel plate is laser cut and folded with a 100mm turn-down at the front of the tread and a 23mm turn-up at the back of the tread. Risers are between 205mm – 220mm as determined by the floor to floor height. Width of treads free of obstruction is 690mm. Anti slip tread mats are standard and are replaceable.

Stair Handrail

Polymer handrail system is 38 x 5mm round. Aluminium handrail system is 32 x 1.6mm CHS. Balusters are 19 x 1.6mm SHS with a maximum spacing of 125mm. Newel posts, top and bottom are 38 x 38 x 1.6mm SHS. The handrail is provided on one side of the stair with a minimum height above the tread nosing of 865mm.

Balustrade Panels

End posts are 38 x 38 x 1.6mm SHS mild steel. Top rail is 32 x 1.6mm CHS mild steel. Bottom rail and in-fills are 19 x 1.6mm SHS mild steel. Balcony rails are at a minimum height of 1000mm above floor. Balusters are spaced with a maximum gap of 125mm.

Stair Geometry

Stair has risers between 205mm – 220mm with 14 treads to circle at 25.7°. The going measured at 7/10ths of the unobstructed width is a minimum of 210mm. The slope relationship is between 640mm - 675mm. The gap between tread risers does not exceed 125mm.

Headroom

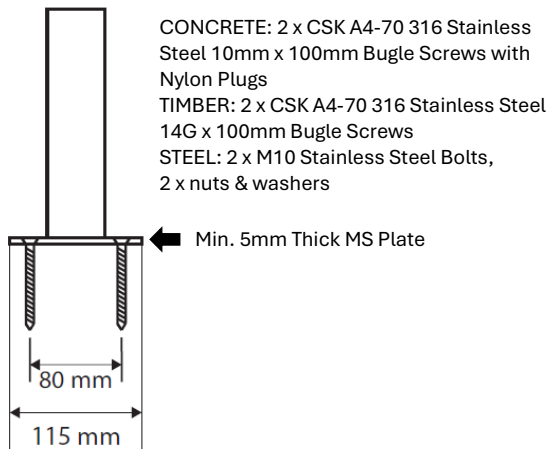
Using a standard landing with a 50mm turn-down, clear headroom must be 2000mm minimum.

Modular / Kit Form

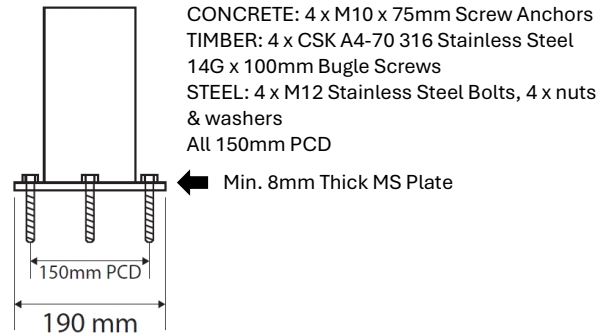
The spiral stair is pre-manufactured and mechanically assembled onsite. No welding, cutting or grinding is required.

This system is covered by Registered Design No's: 157138 & 150823 and may not be manufactured or copied, without the written consent of Spiralworks Pty Ltd.

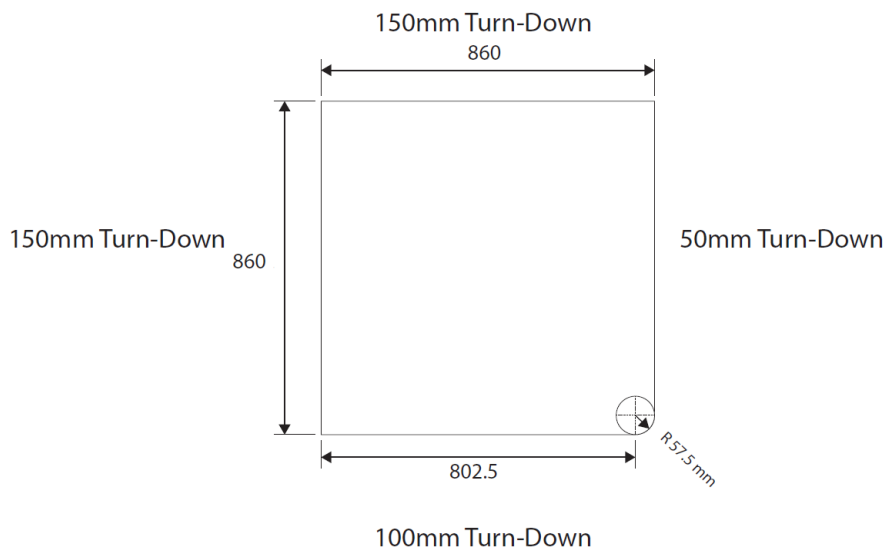
Bottom Newel Post



Centre Column Base Plate




Standard Landing Detail



EXAMPLES OF SETOUT – WE BUILD TO SUIT

205mm to 220mm Riser - 14 Treads to Circle at 25.7°
Mid-landing required for 19 or more risers

Floor to Floor Height	2640	2860	3080	3300	3520	3740	3960	4180	4400	4620	4840
Number of Risers	12	13	14	15	16	17	18	19	20	21	22
Number of Treads	11	12	13	14	15	16	17	18	19	20	21
Rotation	282	308	334	360	385	411	437	463	488	514	540



Landing Examples Dotted line denotes fixing face

